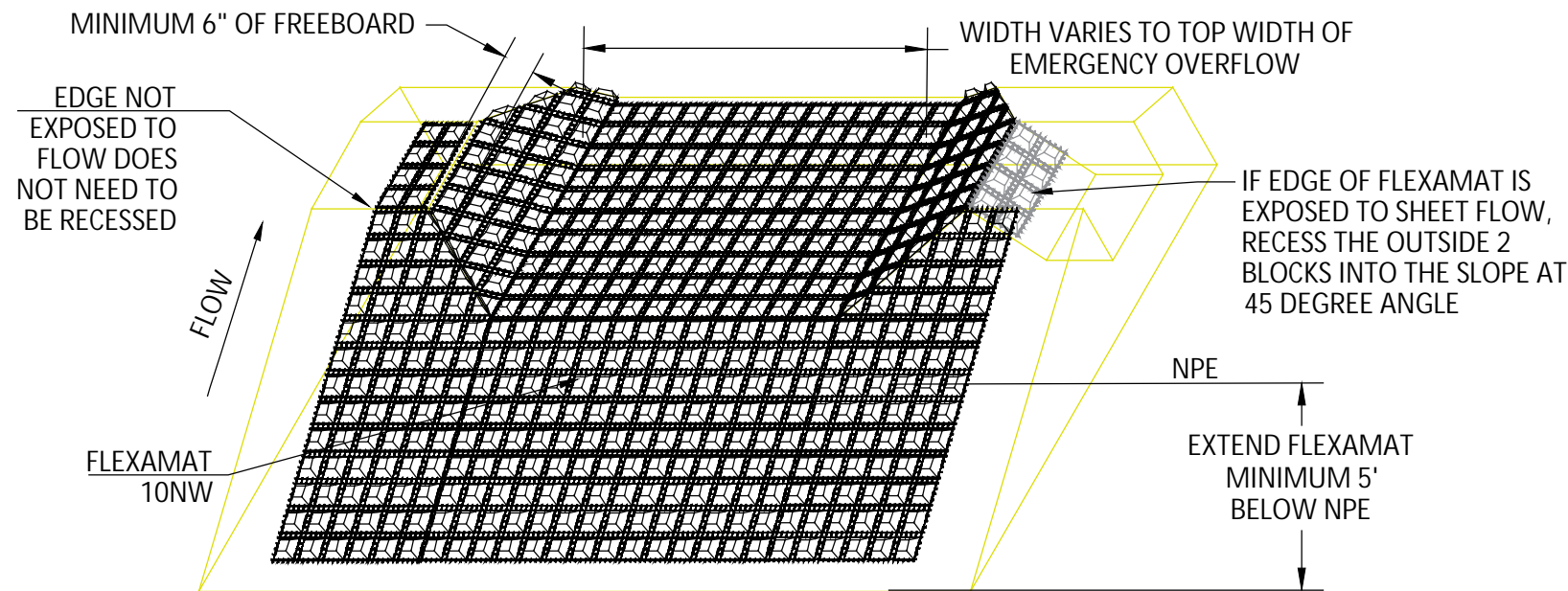
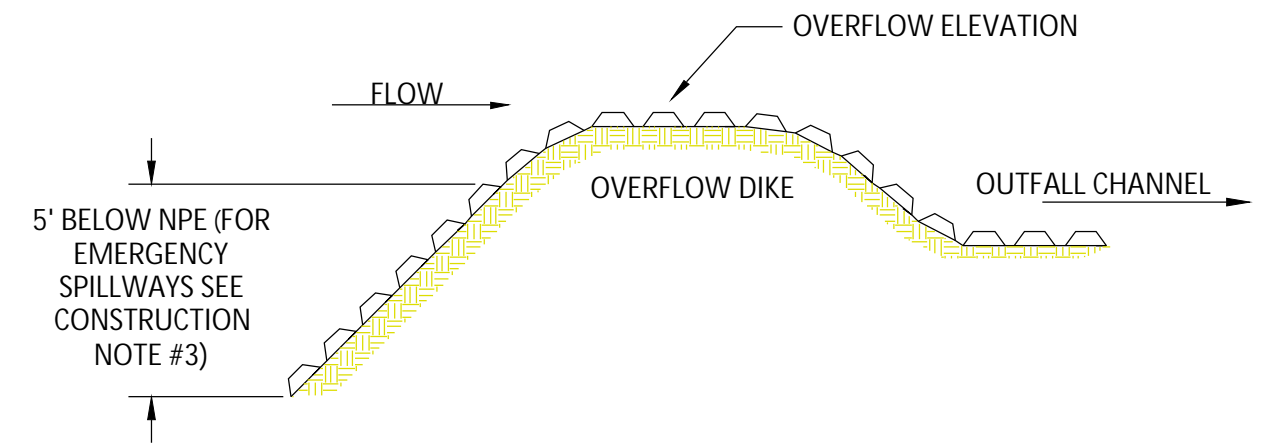


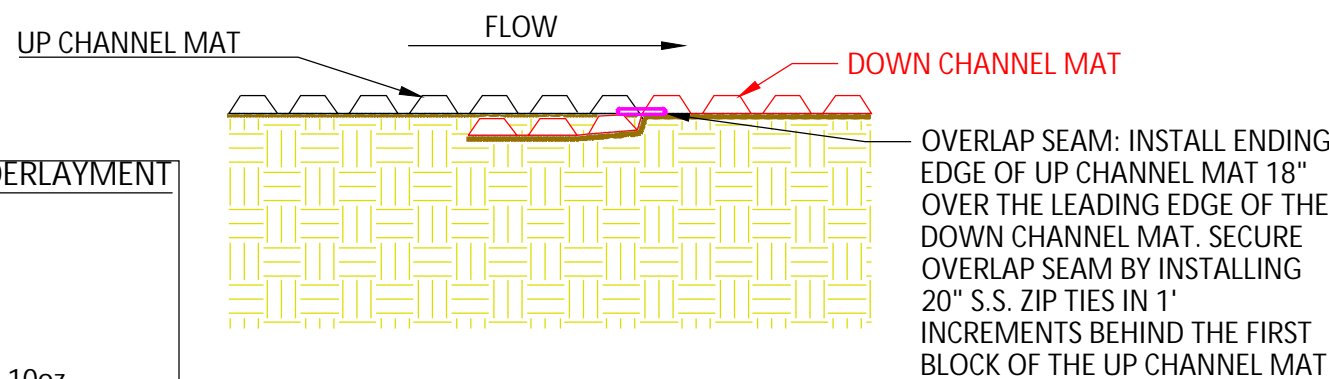
EMERGENCY SPILLWAY - ISOMETRIC VIEW



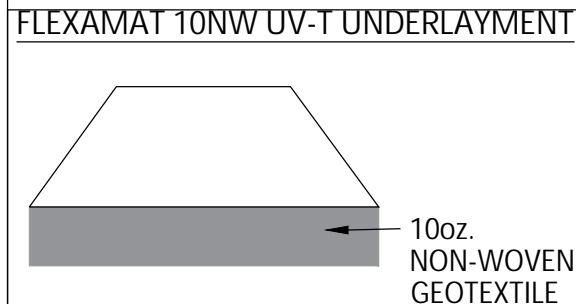
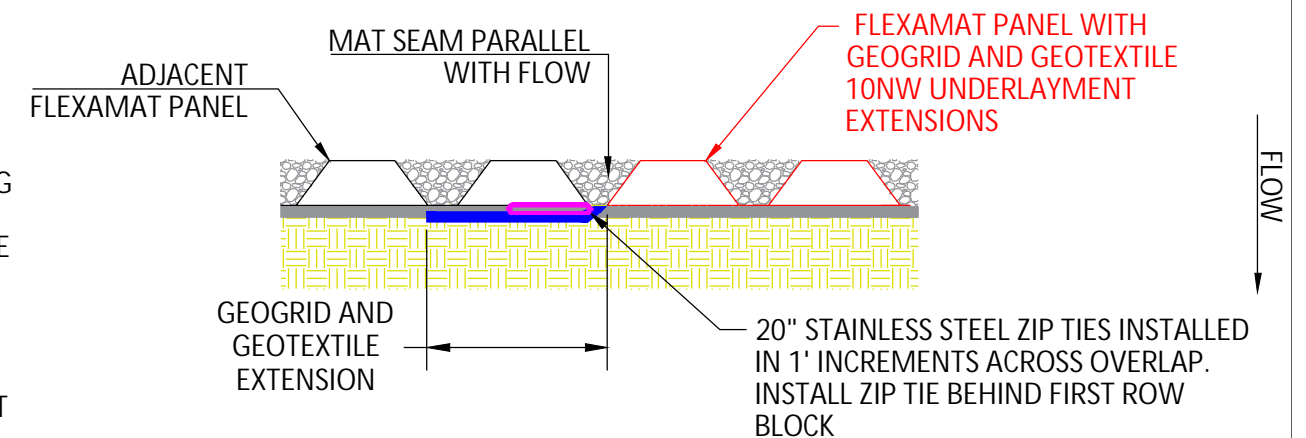
OVERFLOW DIKE - PROFILE VIEW



1. OVERLAP METHOD FOR SEAMS PERPENDICULAR TO FLOW



2. OVERLAP METHOD FOR SEAMS PARALLEL TO FLOW



FLEXAMAT 10NW - OVERFLOW CHANNEL PARALLEL TO FLOW

CONSTRUCTION NOTES:

1. AN ENGINEER OR MANUFACTURERS REPRESENTATIVE SHALL BE ONSITE FOR THE START OF THE INSTALLATION.
2. ALL SUBGRADE SURFACES PREPARED FOR PLACEMENT OF MATS SHALL BE SMOOTH AND FREE OF ALL ROCKS, STICKS, ROOTS, OTHER PROTRUSIONS, OR DEBRIS OF ANY KIND. THE PREPARED SURFACE SHALL PROVIDE A FIRM UNYIELDING SUBGRADE FOR THE MATS.
3. MAT SHALL EXTEND 5' BELOW NORMAL POND ELEVATION. (FOR EMERGENCY OVERFLOW INSTALLATIONS EXTEND THE MAT 3' DOWN THE INSIDE FACE OF THE OVERFLOW DIKE.)
4. INSTALL FLEXAMAT 10NW ROLLS. MANUFACTURER RECOMMENDS INSTALLING THE WIDEST MAT POSSIBLE FOR SPILLWAY APPLICATIONS.
 - 4.1. FOR WIDTHS WIDER THAN 16', INSTALL MATS WITH GEOGRID AND GEOTEXTILE 10NW UNDERLAYMENT EXTENSIONS. INSTALL ADJACENT MAT OVER THE GEOGRID AND GEOTEXTILE 10NW UNDERLAYMENT EXTENSIONS OF THE ADJACENT MATS. ENSURE THE GEOGRID AND 10NW UNDERLAYMENT EXTENSIONS ARE LAYING FLAT ON THE SUBGRADE BEFORE INSTALLING ADJACENT MAT OVER THE EXTENSIONS. INSTALL 20" STAINLESS STEEL ZIP TIES IN 1' INCREMENTS ACROSS THE GEOGRID AND 10NW EXTENSION ABUTMENT. INSTALL ZIP TIES PERPENDICULAR TO THE FLOW DIRECTLY BEHIND FIRST ROW OF BLOCKS ON THE ADJACENT MAT, ENSURING THE ZIP TIES ENCOMPASS MINIMUM 3 CORDS GEOGRID EACH MAT.
 - 4.2. FOR ADDITIONAL SECTIONS OF MAT, OVERLAP THE DOWNSTREAM SECTION 18" WITH UPSTREAM SECTION OF MAT. PRIOR TO INSTALLING OVERLAP, FLIP UPSTREAM MAT BACK 24". EXCAVATE 2.25" OF SOIL 18" FROM THE END OF THE UPSTREAM MAT. DOWNSTREAM SECTION IS THEN LAID IN THE SHALLOW TRENCH. FLIP END OF UPSTREAM MAT OVER THE INITIAL LEADING EDGE. SECURE PERPENDICULAR OVERLAP SEAMS BY INSTALLING 20" STAINLESS STEEL ZIP TIES PERPENDICULAR TO FLOW IN 1' INCREMENTS.
5. AT THE END OF THE ARMORED SPILLWAY, EMBED THE MAT 18" IN A TERMINATION TRENCH. FILL AND COMPACT TERMINATION TRENCH WITH SUITABLE FILL. (AS SPECIFIED BY EOR.)

MOTZ ENTERPRISES, INC.

Flexamat

(513)772-6689

Info@Flexamat.com

Flexamat.com

